

# D-Series

## Network-Enabled Outdoor Dome Thermal Security Camera



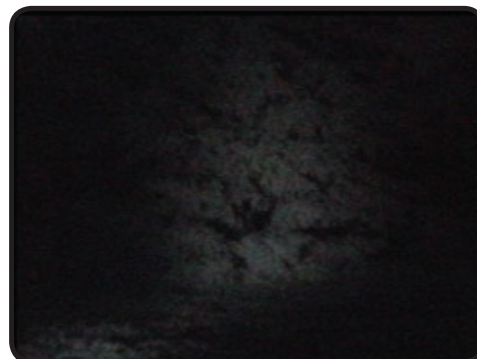
### MULTI-SENSOR THERMAL SECURITY CAMERA IN NETWORKED OUTDOOR DOME ENCLOSURE

D-Series thermal security cameras let you see intruders and other threats to your facility's security clearly in total darkness and in bad weather. The D-Series outdoor dome enclosure provides precision pan/tilt control while providing fully programmable scan patterns, radar slew-to-cue, and slew-to-alarm functionality. Fully enabled for control and operation over IP and serial networks, D-Series systems deploy a 320 x 240 thermal imager along with a day/night 36x zoom color CCD camera.

FLIR's D-Series thermal multi-sensor security dome cameras are the perfect replacement for legacy dome cameras, providing clear 24/7 imaging capability in an attractive, discrete dome-style enclosure.

### BENEFITS OF D-SERIES THERMAL SECURITY CAMERAS:

- High-quality 24/7 thermal video security coverage
- Broad range of lenses available for the thermal camera: 9 mm, 13 mm, 19 mm, and 35 mm for FOVs from 48° to 13°
- Day/night 36x zoom color CCD video camera
- Simultaneous visible-light and thermal video outputs ensure optimal imaging performance in a wide variety of conditions
- Precision, rugged outdoor dome enclosure provides 360° continuous pan and +45° to -180° tilt for uninterrupted coverage
- Auto Digital Detail Enhancement (DDE) built in for optimal image quality across all scene conditions
- Open IP standards for plug-and-play integration and configuration in digital networks
- Multiple channels of streaming digital video available in H.264, MPEG-4, or M-JPEG formats
- FLIR Sensor Manager single-device version included



## D-SERIES

Camera Platform Type Outdoor PTZ Multi-Sensor Dome

### THERMAL CAMERA SPECS

Array Format (NTSC) 320 x 240  
 Detector Type Long-Life, Uncooled VOx Microbolometer  
 Effective Resolution 76,800  
 Pixel Pitch 25 µm  
 Focal Length 9 mm, 13 mm, 19 mm, or 35 mm  
 Field of View 48° x 39° (9 mm)  
 34° x 28° (13 mm)  
 24° x 19° (19 mm)  
 13° x 10° (35 mm)  
 Zoom 2x E-zoom  
 Spectral Range 7.5 µm to 13.5 µm  
 Focus Range Athermalized, focus-free

### OUTPUTS

Composite Video NTSC or PAL Standard  
 Video Over Ethernet Dual channel streaming MPEG-4, H.264, and M-JPEG. Two channels per camera; Four channels per system

### CONTROL

Point To Point (stand alone) Standard  
 Ethernet Standard  
 Serial RS-232/-422/-485; Pelco D, Bosch  
 Network Enabled Standard

### PAN/TILT PERFORMANCE

Pan Angle/Speed Continuous 360°; 0.5° to 60°/sec  
 Tilt Angle/Speed +45° to -180°; 0.5° to 60°/sec  
 Programmable Presets

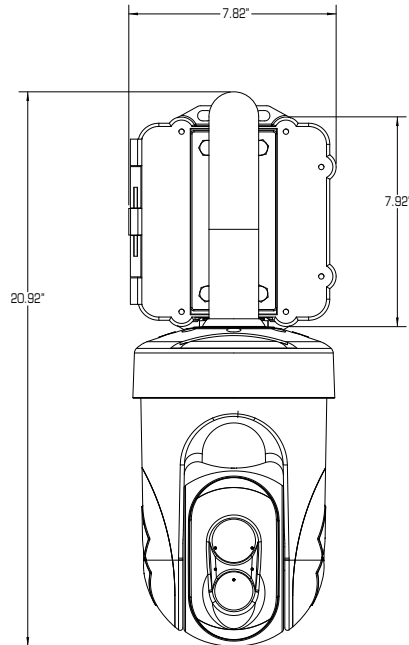
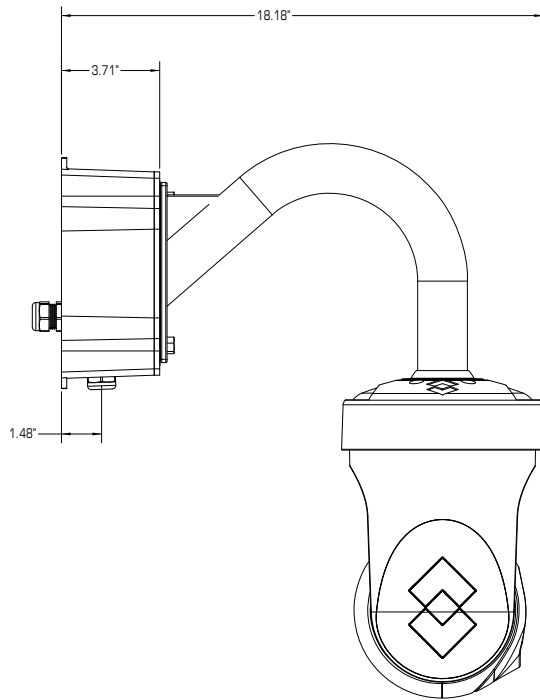
### GENERAL

Weight ~ 25 lb.  
 Dimensions (L,W,H) 7" (dia.) x 11.2" (ht.)  
 (178 mm x 285 mm)  
 (plus mounting hardware)  
 Power Requirements 24 VDC or 24 VAC (+/-20%)  
 Power Consumption 33 W Nominal; 65 W Peak

### DAY/NIGHT CCD CAMERA

#### Sony FCB-EX1010

Sensor Type 1/4" Exview HAD CCD  
 Lens Field Of View 57.8° (h) to 1.7° (h)  
 Focal Length 3.4 mm to 122.4 mm  
 Zoom 36x Optical zoom, 12x E-zoom  
 F/# 1.6 to 4.5  
 Effective pixels (NTSC) 380,000



**ThermalVideo.com**

Your Source for Modern  
 Thermal Imaging Systems  
 P.O. BOX 4242  
 Middletown, New York 10941 USA

Phone: 1-888-919-2263  
 Phone Intl: +1-845-343-4077  
 Fax: +1-845-343-4299  
 Email: support@thermalvideo.com